

# Solar Powered Metal Garden Light

DEAR CUSTOMER,

Congratulations on your purchase of a lighting product. Our products will help to enhance the beauty of your home and provide many years of enjoyment, we offer a wide selection of lighting products of the highest professional quality.

To ensure the maximum performance of your garden light, please read and save these instructions.

## 1. How your Solar Powered Fixture Works

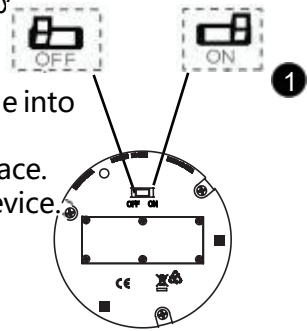
During the day, the solar panel converts sunlight into electricity and recharges the battery. At night, the light turns on automatically using the electricity stored during that day. The number of hours the light stays on depends on your geographical location, weather conditions and seasonal sunlight availability. Place the solar light fixture in an area where it can receive direct sunlight for at least 8 hours each day. Shadowed locations will not allow the battery to charge fully and will reduce the hours of nighttime lighting. The selected location should not be near nighttime light sources, such as porch lights, street lights or pool lights, as these may cause the solar light to turn off prematurely.

## 2. First time use

Take out the solar light from package carefully, move the switch on the bottom side of the candle into the position ON (ill. 1).

This solar light is designed for outdoor use. It may for example be placed in garden in a sunny place. The light must not stand in the water and must not be lighted by means of a lighter or similar device.

**Attention:** It is absolutely required to make sure that the light has a solid footing due to the metal body. Please also pay attention to possibly occurring winds.



## 3. Troubleshooting

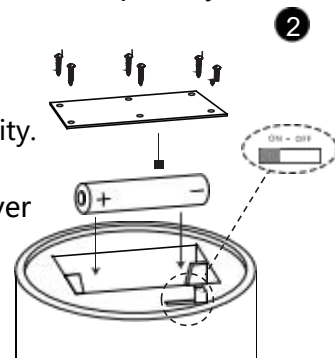
**If the light does not turn on at dusk after 8 hours of charging:**

- Ensure that the solar light is in a bright sunny location and not in a shady area during the day.
- Make sure that the light's photocell is not affected by other light sources at night.
- Make sure that the switch is turned ON.
- Verify that the battery is making contact with the terminal and that it has been inserted in the correct polarity.

## 4. Battery Replacement

**NOTE:** This operation should be done in the morning on a sunny day. This will allow the light to receive a full 8 hours of sunlight so that the rechargeable battery can reach maximum capacity.

- Move the switch on the bottom side into the position OFF. (ill. 1)
- Unscrew all 6 screws on the battery compartment of the candle with an adequate screwdriver and remove the cover (ill. 2).
- Take out the plastic seal.
- Remove the battery from the bracket and replace it by a new freshly charged battery of identical size (Migon, AAA)
- Now reinsert the seal into the battery compartment and press the lid back on. Now screw the 6 screws back in again with an adequate screwdriver.
- Move the switch on the bottom side into the position ON (ill. 2).



**NOTE:** Clean the battery contacts and those of the device prior to battery installation.

Used battery must be disposed of in an environmentally friendly manner and should not be placed in your household waste. Your dealer is obliged by law to take back the old rechargeable battery.

## 5. CAUTION

- Safe for outdoor operation.
- Failure to insert battery in the correct polarity, as indicated in the battery compartment, may shorten the life of the battery or cause battery to explode or leak.
- Do not dispose of battery in fire.
- Battery should be recycled or disposed of as per manufacturer's recommendations.
- Remove battery if consumed or if product is to be left unused for a long period.