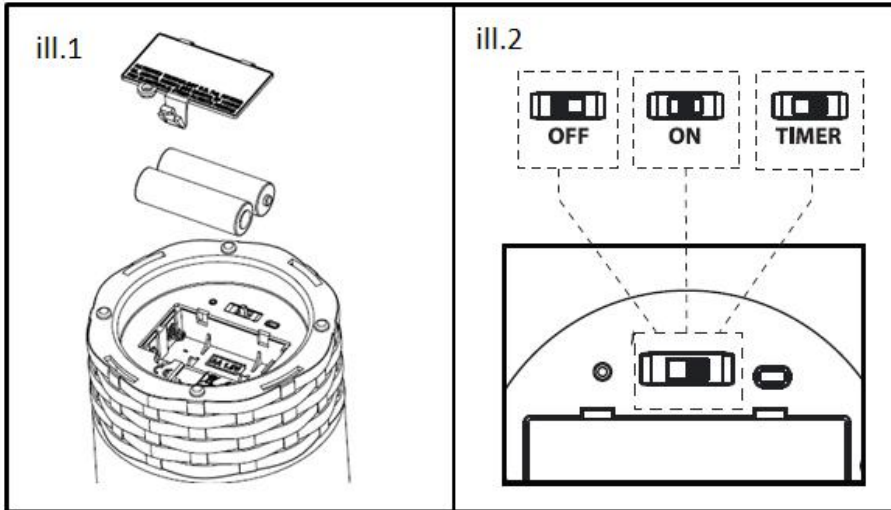


Battery operated Glass Table light in “Rattan Style”

Each light requires two “AA” alkaline 1.5V batteries (not included) to achieve maximum battery life. Clean the battery contacts and also those of the device prior to battery installation.

1. To open battery compartment, turn the light upside down, push clip inward and pull up.
2. Insert two “AA” type alkaline batteries into the compartment in the proper polarity as shown (ill.1).
3. Close the battery compartment.



HOW TO OPERATE THE LIGHT AND TIMER

“ON/OFF” MODE

1. Slide switch to “ON” position to turn light on.
2. Slide switch to “OFF” position to turn light off (ill.2).

“TIMER” MODE

1. Slide the switch to the “TIMER” position to activate the timer and turn the light on “ill.2. The light will automatically turn off after 5 hours.
2. The following day, if the switch settings have not been modified, the light will automatically turn on at the same time that it was set on the previous day, and then will turn off after 5 hours.
3. To change the starting time, slide the switch from the “OFF” position to the “TIMER” position at the desired start time(ill.2).

To clean your light, use a soft, dry cloth.

CAUTION

1. Avoid contact with water.
2. This is not a toy, for decorative use only.
3. Failure to insert batteries in the correct polarity, as indicated (ill.1), may shorten the battery life or may cause them to leak.
4. Do not mix old and new batteries.
5. Do not mix Alkaline, Standard (Carbon-Zinc) or Rechargeable (Nickel Cadmium) or (Nickel Metal Hydride) batteries.
6. Remove batteries if exhausted or if product is to be left unused for a long period of time.
7. Do not dispose of batteries in fire.
8. Keep batteries away from children. If swallowed, consult a physician immediately.
9. Batteries should be recycled or disposed of as per manufacture’s recommendations.
10. Batteries should be recycled or disposed of in a safe manner.
11. Do not leave lantern outside during windy or inclement weather condition.